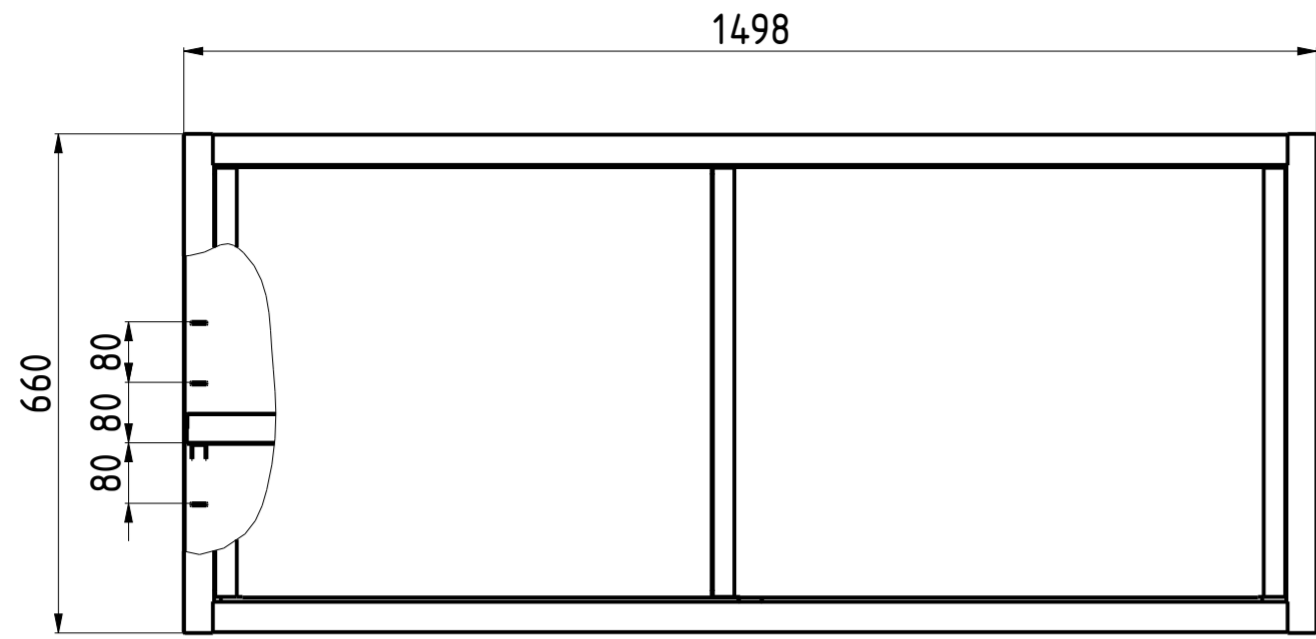


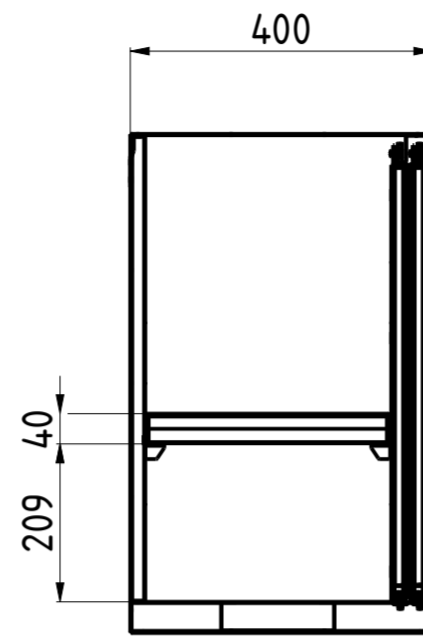
EXPLOSIONSZEICHNUNG



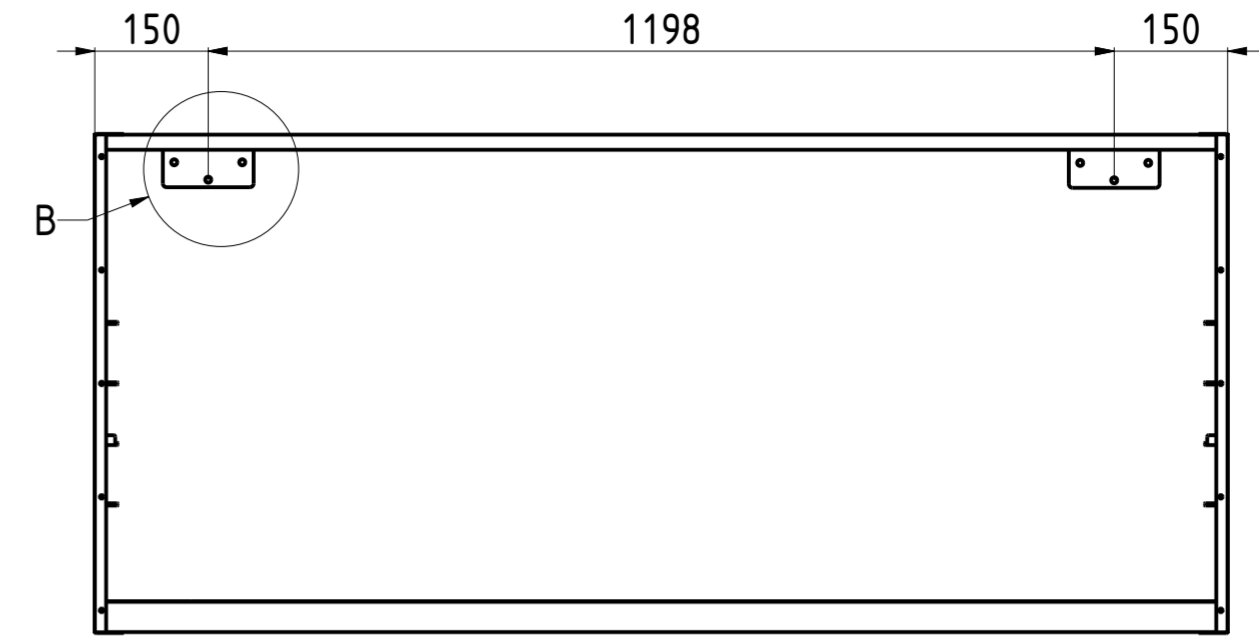
KBS Gastrotechnik GmbH – Schoßbergstraße 26 – 65201 Wiesbaden



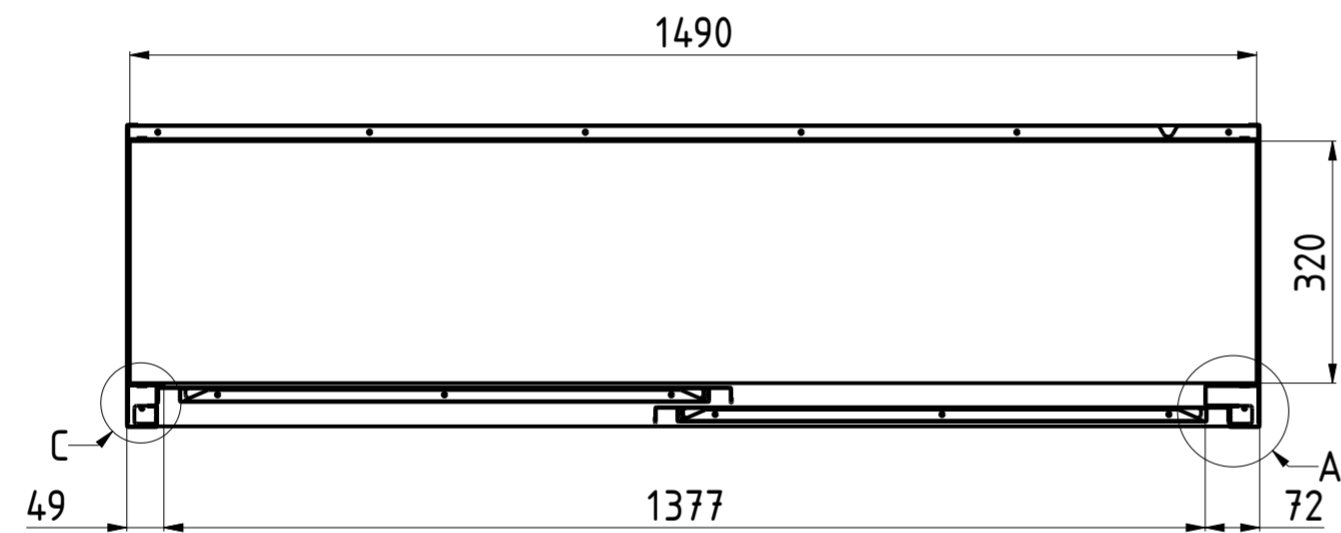
FRONT VIEW B-B 1:10



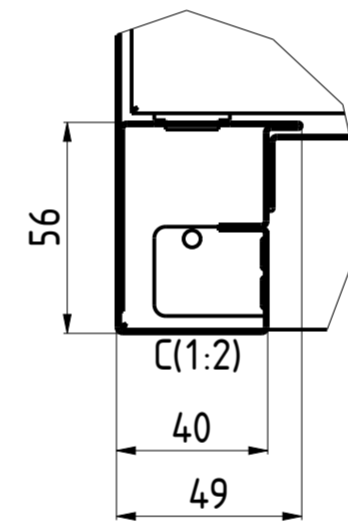
A-A



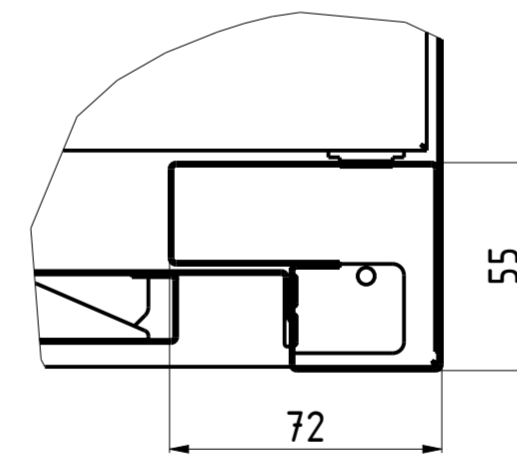
B(3:10)



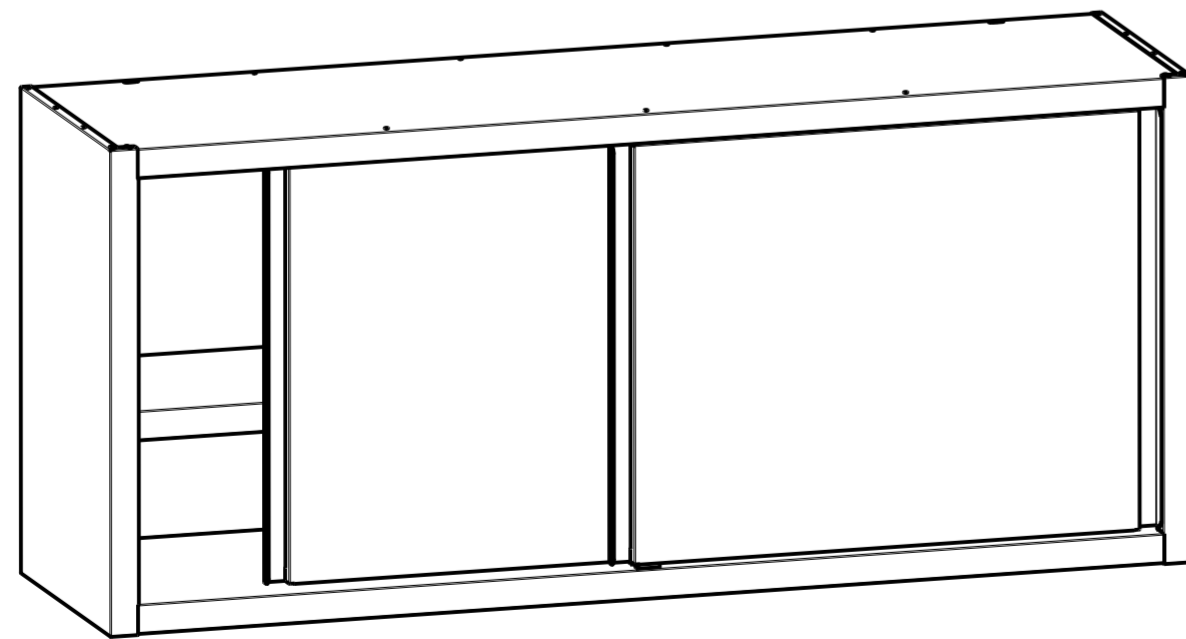
INTERNAL DIM C-C



C(1:2)



A(1:2)



3D VIEW 1:10

DATA DATE	MODIF. N. MODIF. NO.	DESCRIZIONE MODIFICHE MODIFICATION DESCRIPTION	DISegnATO DRAWN BY	APPROVATO APPROVED
MODELLO MODEL	PENSILE ARMADIATO PORTE SCORREVOLI 150x40x65 HANGING CABINET SLIDING DOORS 150x40x65		DISegNO N. DRAWING NO. DSPA1546	SCALA SCALE -
PARTICOLARE DETAIL	SCHEDE TECNICA DATA SHEET		DISegNATO DRAWN BY M.PAPI	DATA DATE -
MATERIALE MATERIAL	SPESS. THICK.	APPROVATO APPROVED	SHEET 2 OF 3	
FINITURA FINISH	PEZZI N. PIECES NO.	SOSTITUISCE IL DIS. N. IT REPLACES DRAWING NO.	ULTIMA EMISS. LAST EDITION	
TRATTAMENTO TREATMENT	COLORE COLOUR	SOSTITUITO DAL DIS. N. REPLACED BY DRAWING NO.		
		RISTOPRO SRL FRAZ. BORGO TUFICO, 47 FABRIANO (AN) ITALY +39.732.043494 WWW.RISTOPRO.COM		 mm FORM.A-2

ELABORATO CON SISTEMA CAD DESIGNED BY CADSTEM	QUOTA PRIMARIA PRIMARY DIMENSION XX	ANGOLI Angles ±0.30°	>500 ±0.75	400-500 ±0.65	315-400 ±0.60	250-315 ±0.55	180-250 ±0.50	120-180 ±0.45	80-120 ±0.40	50-80 ±0.35	18-30 ±0.25	10-18 ±0.20	5-10 ±0.15	0-5 ±0.10
--	---	----------------------------	---------------	------------------	------------------	------------------	------------------	------------------	-----------------	----------------	----------------	----------------	---------------	--------------

TOLLERANZA UNLESS OTHERWISE STATED