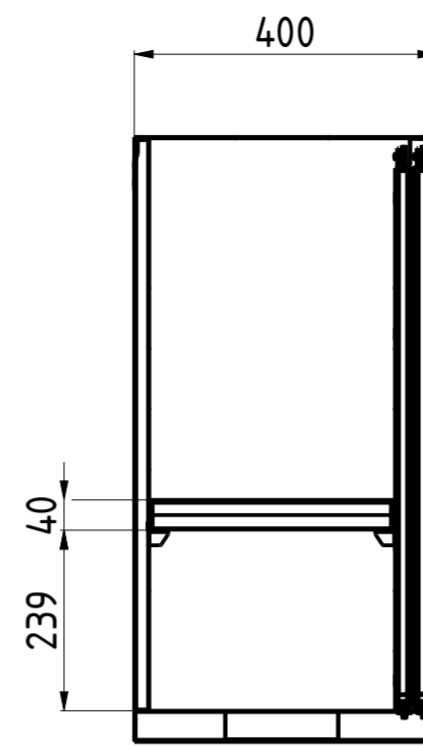
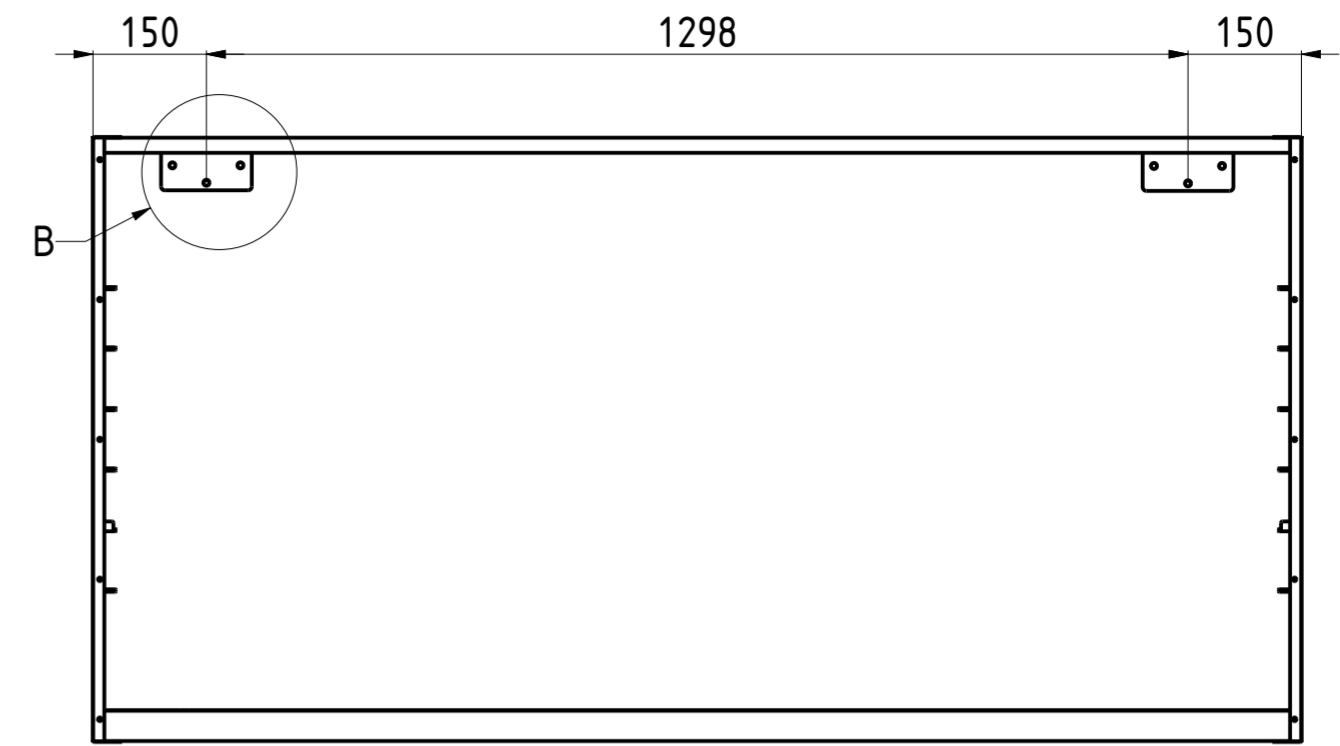


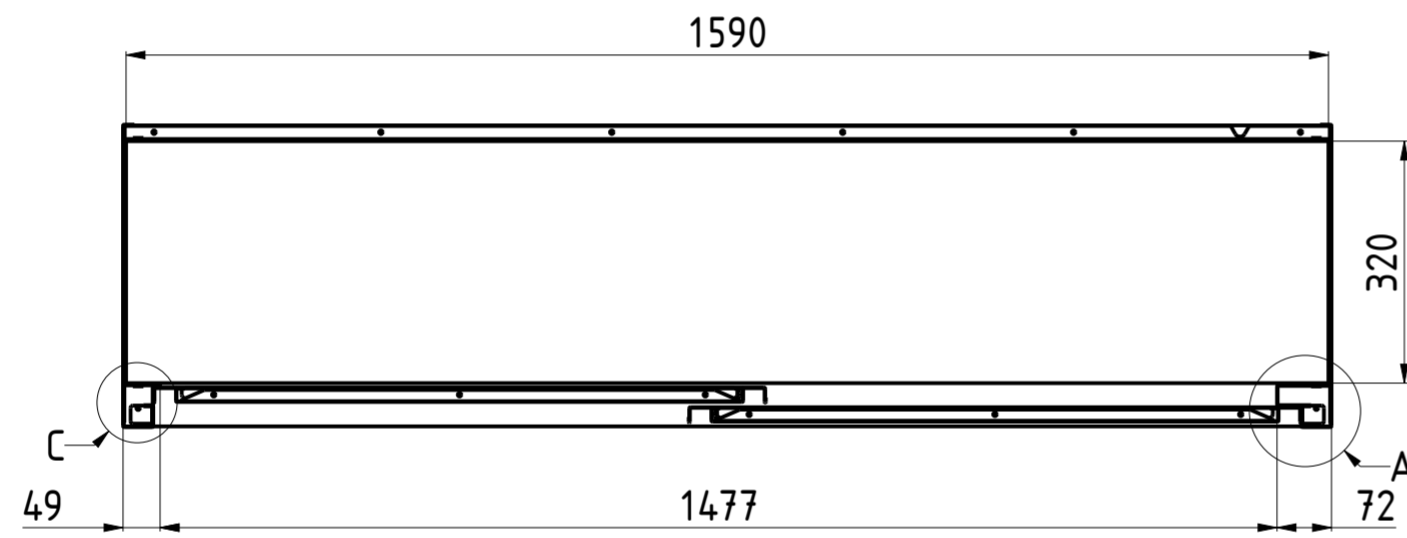
FRONT VIEW B-B 1:10



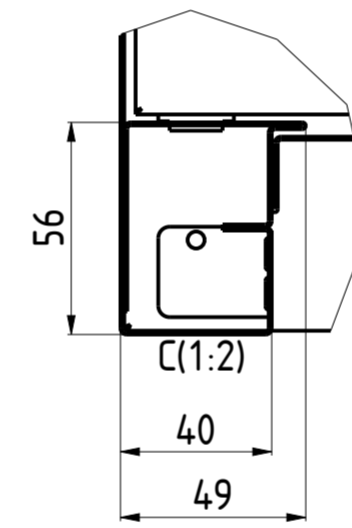
A-A



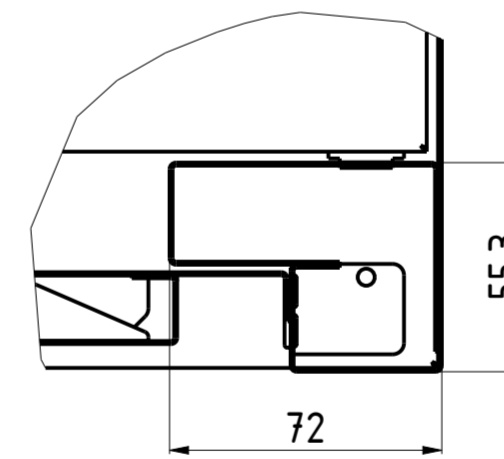
B(3:10)



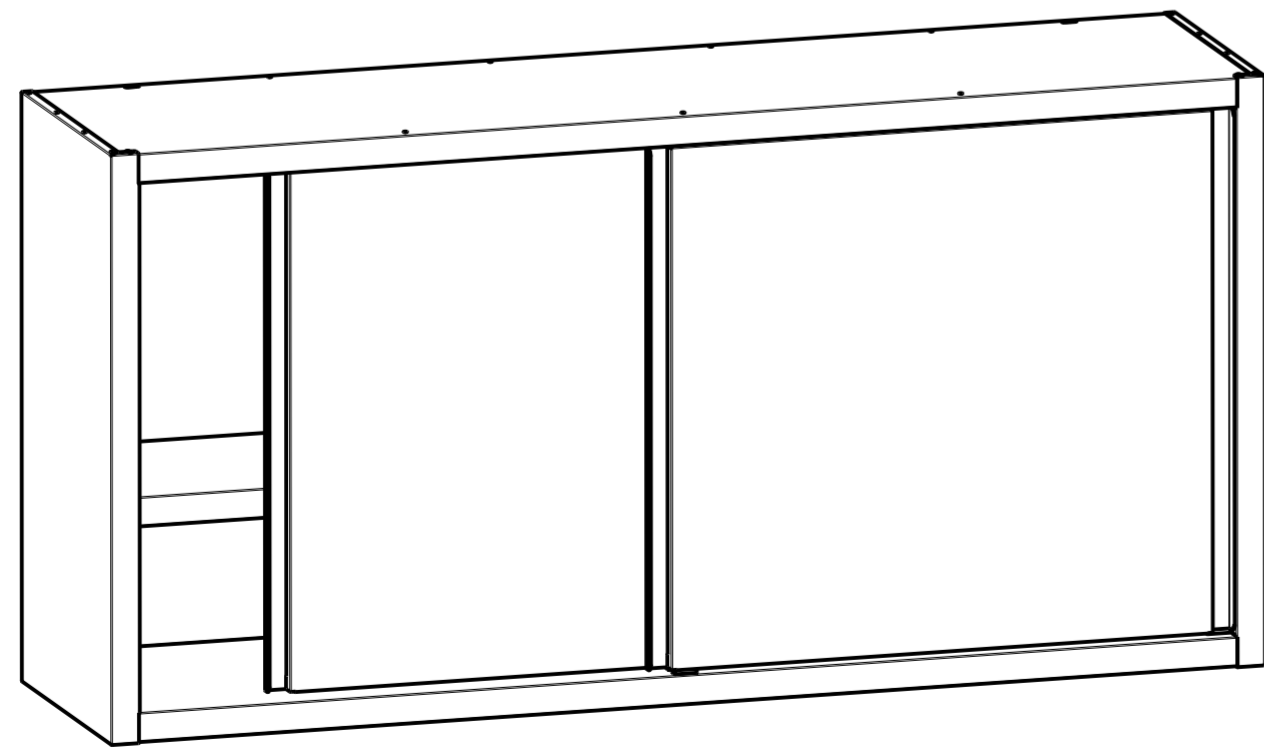
INTERNAL DIM C-C



C(1:2)



A(1:2)



3D VIEW 1:10

DATA DATE	MODIF. N. MODIF. NO.	DESCRIZIONE MODIFICHE MODIFICATION DESCRIPTION	DISegnATO DRAWN BY	APPROVATO APPROVED
MODELLO MODEL	PENSILE ARMADIATO PORTE SCORREVOLI 160x40x80 HANGING CABINET SLIDING DOORS 160x40x80		DISEGNO N. DRAWING NO. DSPA1648	SCALA SCALE -
PARTICOLARE DETAIL	SCHEDA TECNICA DATA SHEET		DISEGNATO DRAWN BY M.PAPI	DATA DATE -
MATERIALE MATERIAL	SPESS. THICK.	APPROVATO APPROVED	SHEET 2 OF 3	
FINITURA FINISH	PEZZI N. PIECES NO.	SOSTITUISCE IL DIS. N. IT REPLACES DRAWING NO.	ULTIMA EMISS. LAST EDITION	
TRATTAMENTO TREATMENT	COLORE COLOUR	SOSTITUITO DAL DIS. N. REPLACED BY DRAWING NO.		
<b>RISTOPRO</b> PROFESSIONAL CATERING EQUIPMENT		RISTOPRO SRL FRAZ. BORGO TUFICO, 47 FABRIANO (AN) ITALY +39.732.043494 WWW.RISTOPRO.COM		 mm

ELABORATO CON SISTEMA CAD DESIGNED BY CADSTEM  
 QUOTA PRIMARIA PRIMARY DIMENSION XX  
 ANGOLI Angles  $\neq 30^\circ$   
 TOLLERANCE UNLESS OTHERWISE STATED  
 QUOTE SENZA TOLLERANZA  
 >500  $\pm 0.75$   
 400-500  $\pm 0.65$   
 315-400  $\pm 0.60$   
 250-315  $\pm 0.55$   
 180-250  $\pm 0.50$   
 120-180  $\pm 0.45$   
 80-120  $\pm 0.40$   
 50-80  $\pm 0.35$   
 30-50  $\pm 0.30$   
 18-30  $\pm 0.25$   
 10-18  $\pm 0.20$   
 5-10  $\pm 0.15$   
 0-5  $\pm 0.10$   
 LUNGH. E DIAM. LENGTH AND DIAM.