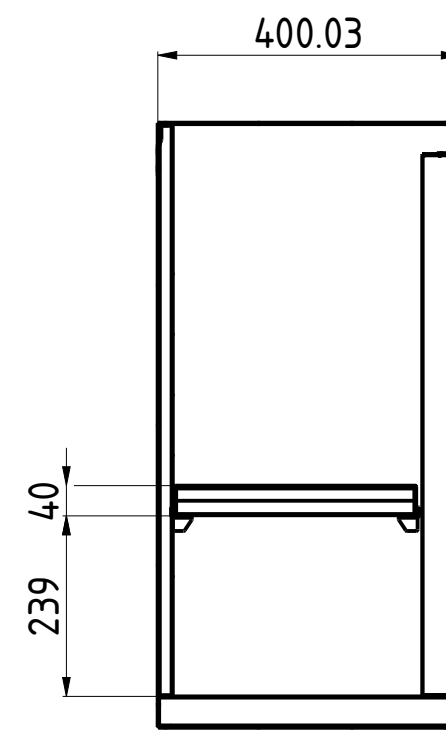
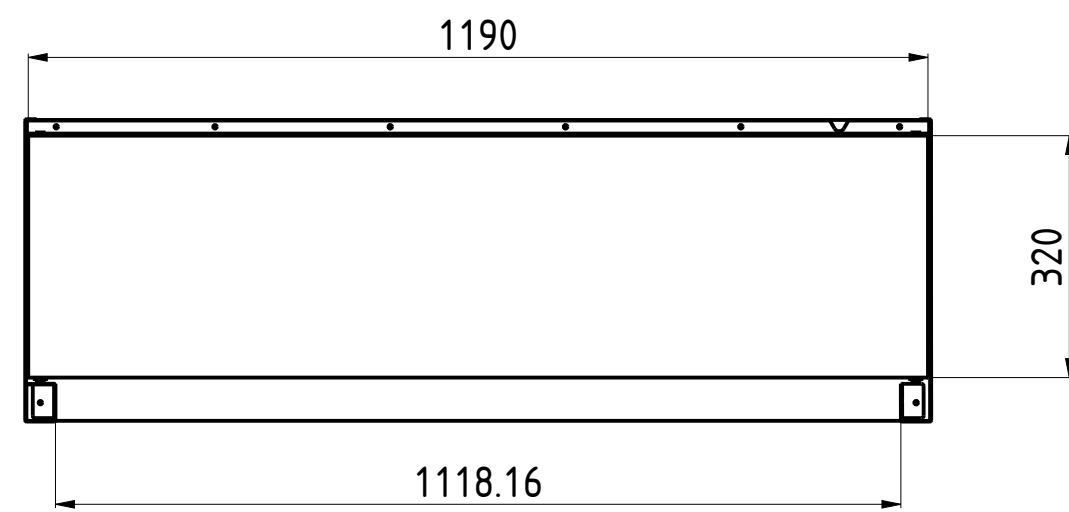
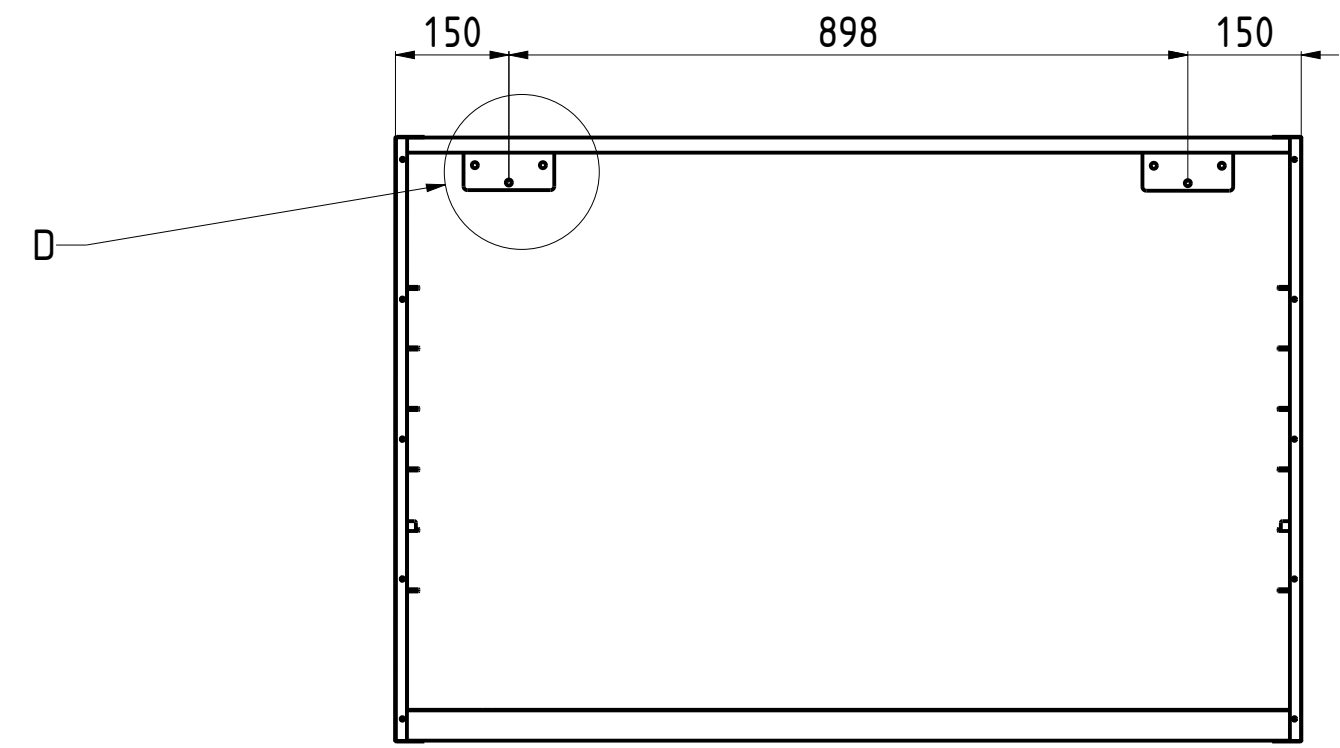


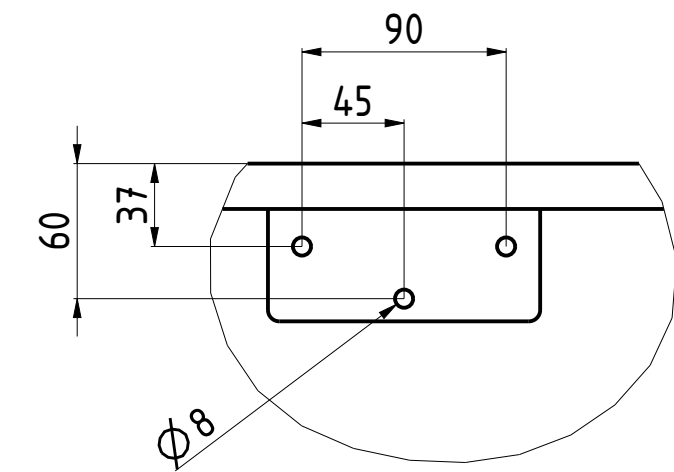
FRONT VIEW B-B 1:10



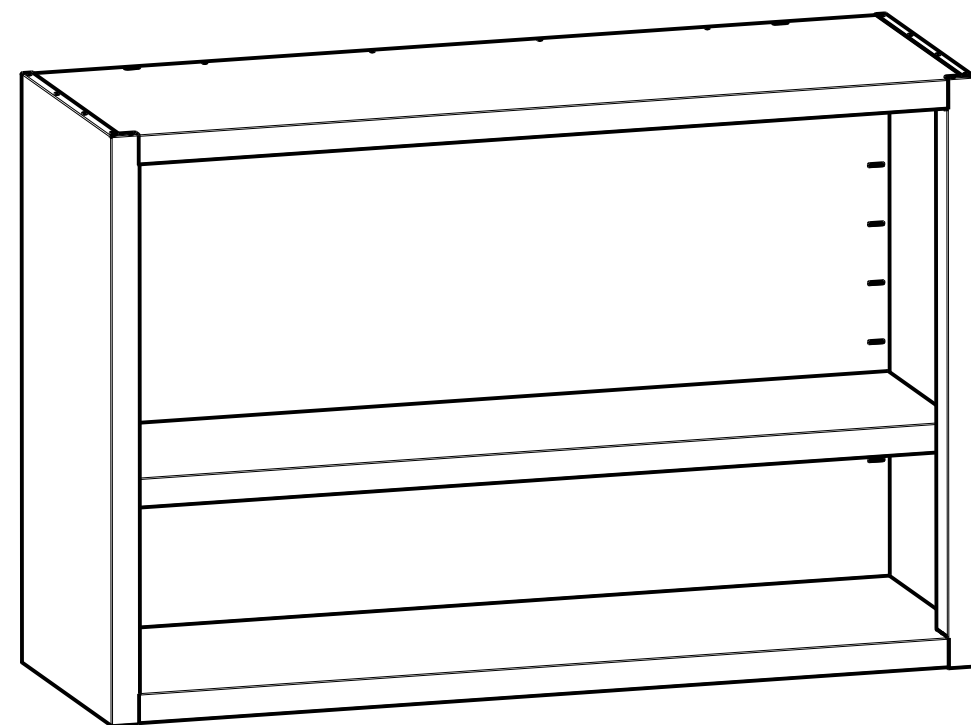
A-A



INTERNAL DIM C-C



D(3:10)



3D VIEW 1:10

DATA DATE	MODIF. N. MODIF. NO.	DESCRIZIONE MODIFICHE MODIFICATION DESCRIPTION	DISegnATO DRAWN BY	APPROVATO APPROVED
MODELLO MODEL	PENSILE GIORNO 120x40x80 HANGING CABINET OPEN 120x40x80		DISEGNO N. DRAWING NO. DSPG1248	SCALA SCALE -
PARTICOLARE DETAIL	SCHEDA TECNICA DATA SHEET		DISEGNATO DRAWN BY M.PAPI	DATA DATE -
MATERIALE MATERIAL	SPESS. THICK.	APPROVATO APPROVED	SHEET 2 OF 3	
FINITURA FINISH	PEZZI N. PIECES NO.	SOSTITUISCE IL DIS. N. IT REPLACES DRAWING NO.	ULTIMA EMISS. LAST EDITION	
TRATTAMENTO TREATMENT	COLORE COLOUR	SOSTITUITO DAL DIS. N. REPLACED BY DRAWING NO.		
RISTOPRO PROFESSIONAL CATERING EQUIPMENT		RISTOPRO SRL FRAZ. BORGO TUFICO, 47 FABRIANO (AN) ITALY +39.732.043494 WWW.RISTOPRO.COM		 mm

ELABORATO CON SISTEMA CAD
 DESIGNED BY CAD/STEM
 QUOTA PRIMARIA
 PRIMARY DIMENSION
 XX
 ANGOLI
 Angles
 $\neq 30^\circ$
 TOLLERANZA UNLESS OTHERWISE STATED
 QUOTE SENZA TOLLERANZA
 TOLERANCE UNLESS OTHERWISE STATED
 >500 ± 0.75
 400-500 ± 0.65
 315-400 ± 0.60
 250-315 ± 0.55
 180-250 ± 0.50
 120-180 ± 0.45
 80-120 ± 0.40
 50-80 ± 0.35
 30-50 ± 0.30
 18-30 ± 0.25
 10-18 ± 0.20
 5-10 ± 0.15
 0-5 ± 0.10
 LUNGH. E DIAM.
 LENGTH AND DIAM.
 FORM.A-2