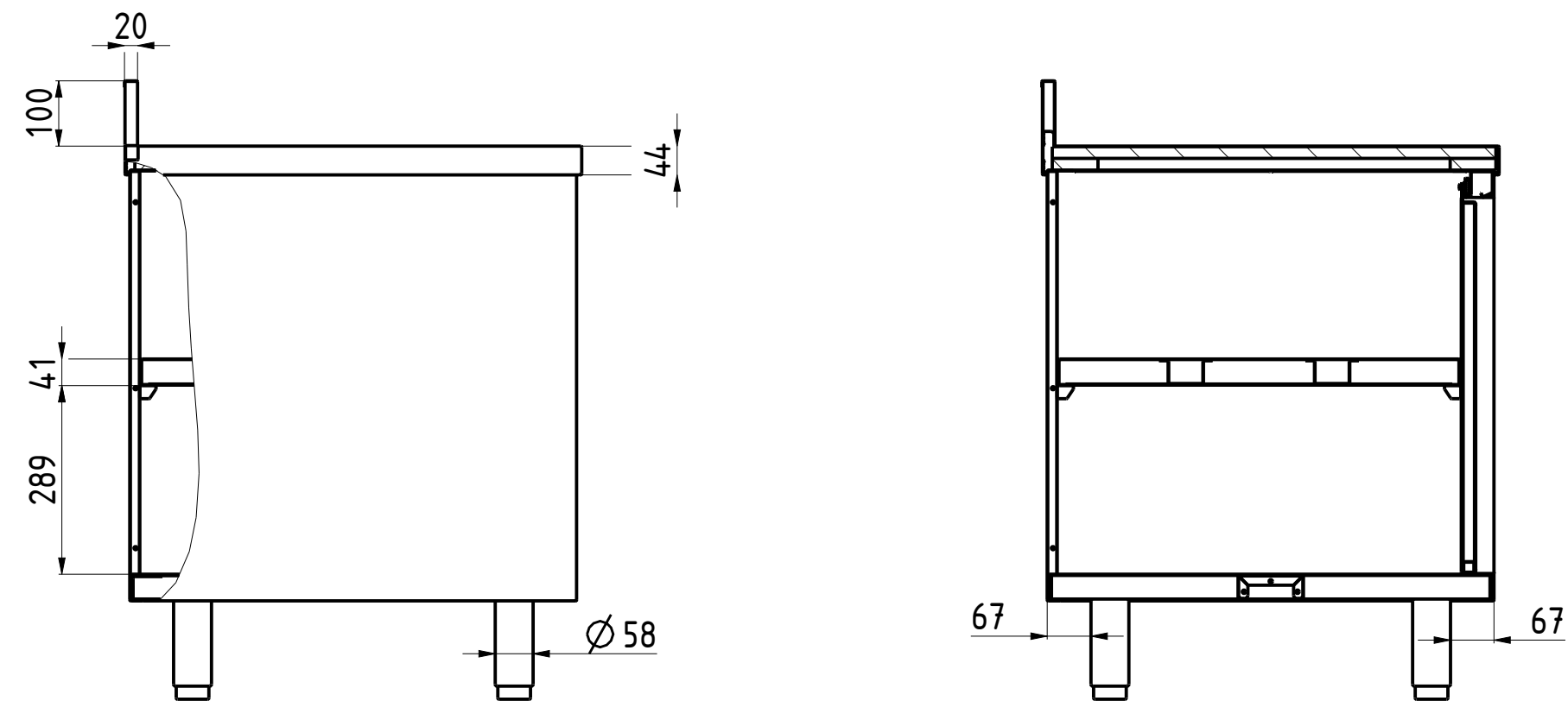
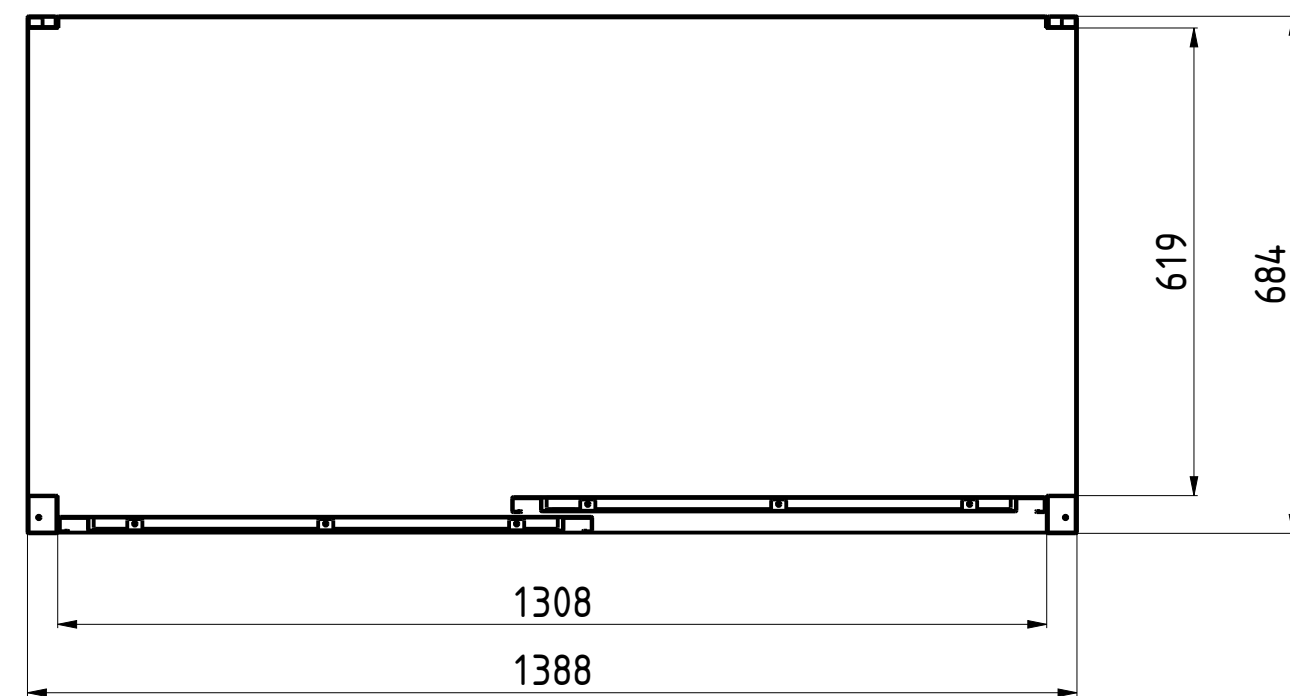
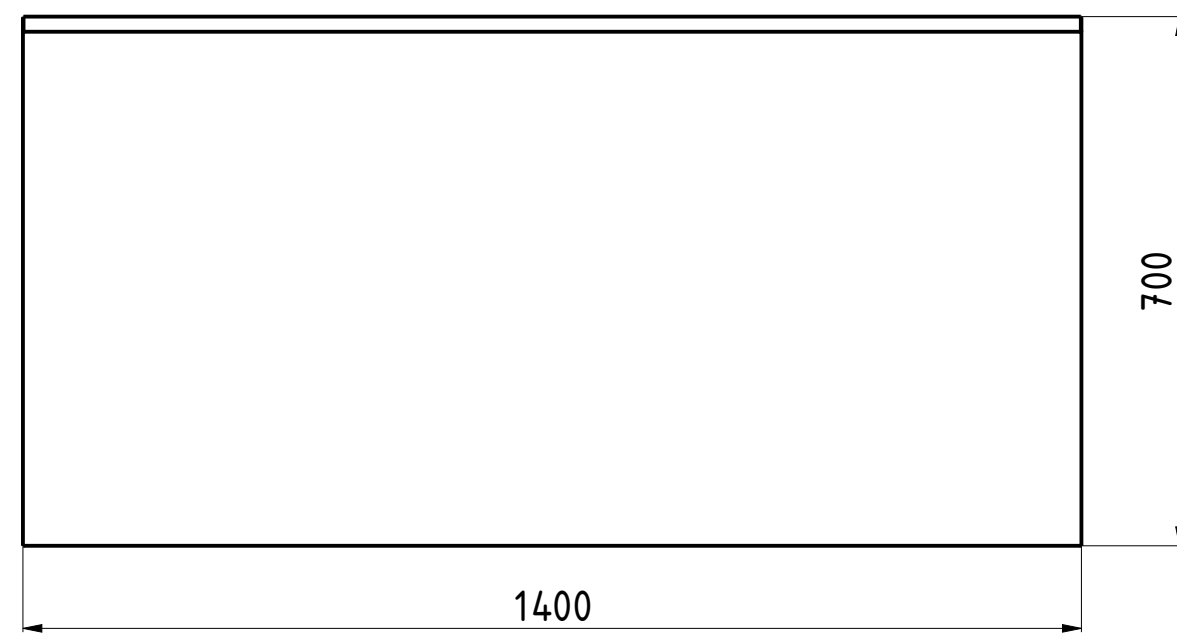


FRONT VIEW C-C 1:10

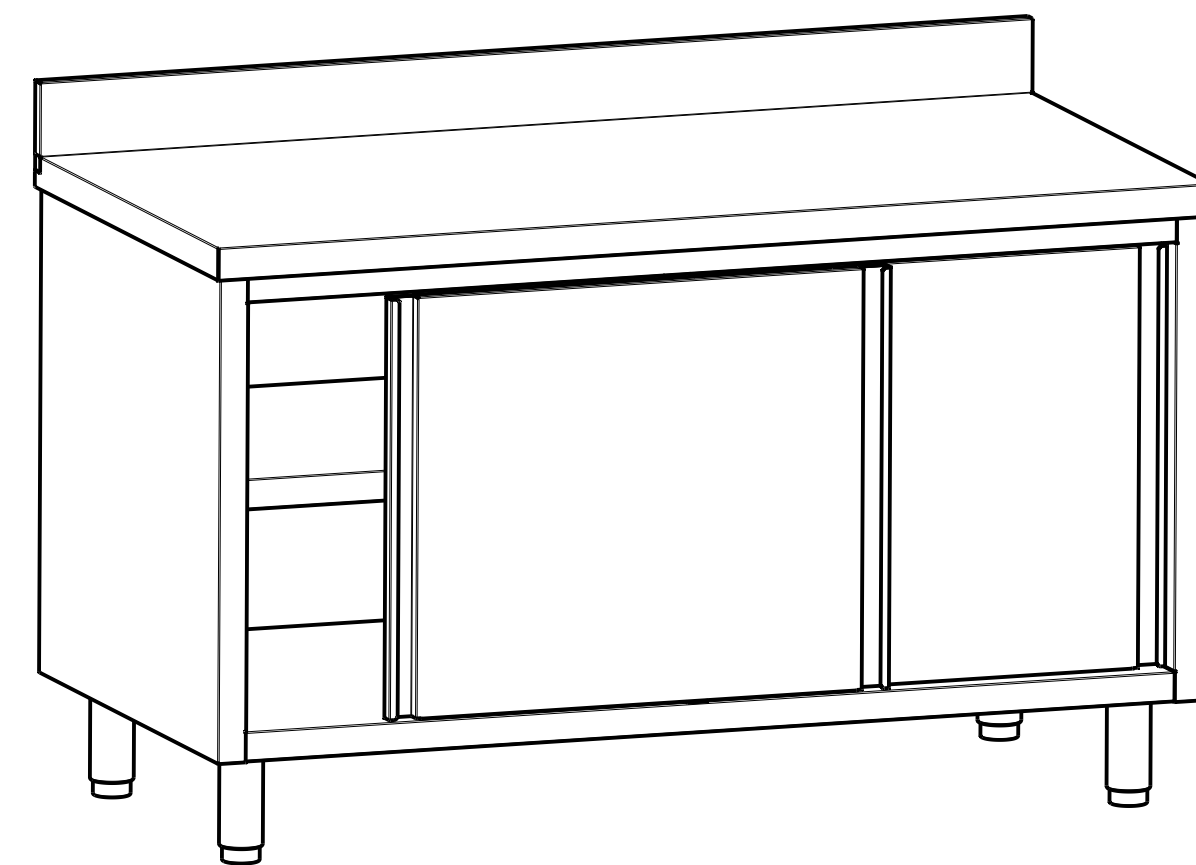


A-A

E-E



INTERNAL DIM
D-D



| DATA DATE | MODIF. N. MODIF. NO. | DESCRIZIONE MODIFICHE MODIFICATION DESCRIPTION | DISegnATO DRAWN BY | APPROVATO APPROVED |
|--|--|--|--|----------------------------|
| | | | | |
| MODELLO MODEL | TAVOLO ARMADIATO 140x70 ALZATINA TABLE CABINET 140x70 UPSTAND | | DISegno N. DRAWING NO. | SCALA SCALE |
| PARTICOLARE DETAIL | SCHEDA TECNICA DATA SHEET | | DISegnATO DRAWN BY | DATA DATE |
| MATERIALE MATERIAL | AISI 304 - AISI 430 | SPESSE THICK. | APPROVATO APPROVED | SHEET 3 OF 4 |
| FINITURA FINISH | | PEZZI N. PIECES NO. | SOSTITUISCE IL DIS. N. IT REPLACES DRAWING NO. | ULTIMA EMISS. LAST EDITION |
| TRATTAMENTO TREATMENT | | COLORE COLOUR | SOSTITUITO DAL DIS. N. REPLACED BY DRAWING NO. | |
| RISTOPRO PROFESSIONAL CATERING EQUIPMENT | | | RISTOPRO SRL FRAZ. BORGO TUFICO, 47 FABRIANO (AN) ITALY +39.732.043494 WWW.RISTOPRO.COM | |

ELABORATO CON SISTEMA CAD
 DESIGNED BY CAD/STEM
 QUOTA PRIMARIA
 PRIMARY DIMENSION
 XX
 ANGOLI
 Angles
 30°
 TOLLERANZA UNLESS OTHERWISE STATED
 QUOTE SENZA TOLLERANZA
 TOLERANCE UNLESS OTHERWISE STATED
 >500
 ±0.75
 400-500
 ±0.65
 315-400
 ±0.60
 250-315
 ±0.55
 180-250
 ±0.50
 120-180
 ±0.45
 80-120
 ±0.40
 50-80
 ±0.35
 30-50
 ±0.30
 18-30
 ±0.25
 10-18
 ±0.20
 5-10
 ±0.15
 0-5
 ±0.10
 LUNGHEZZE E DIAMETRI
 LENGTH AND DIAM.
 mm
 FORM.A-2